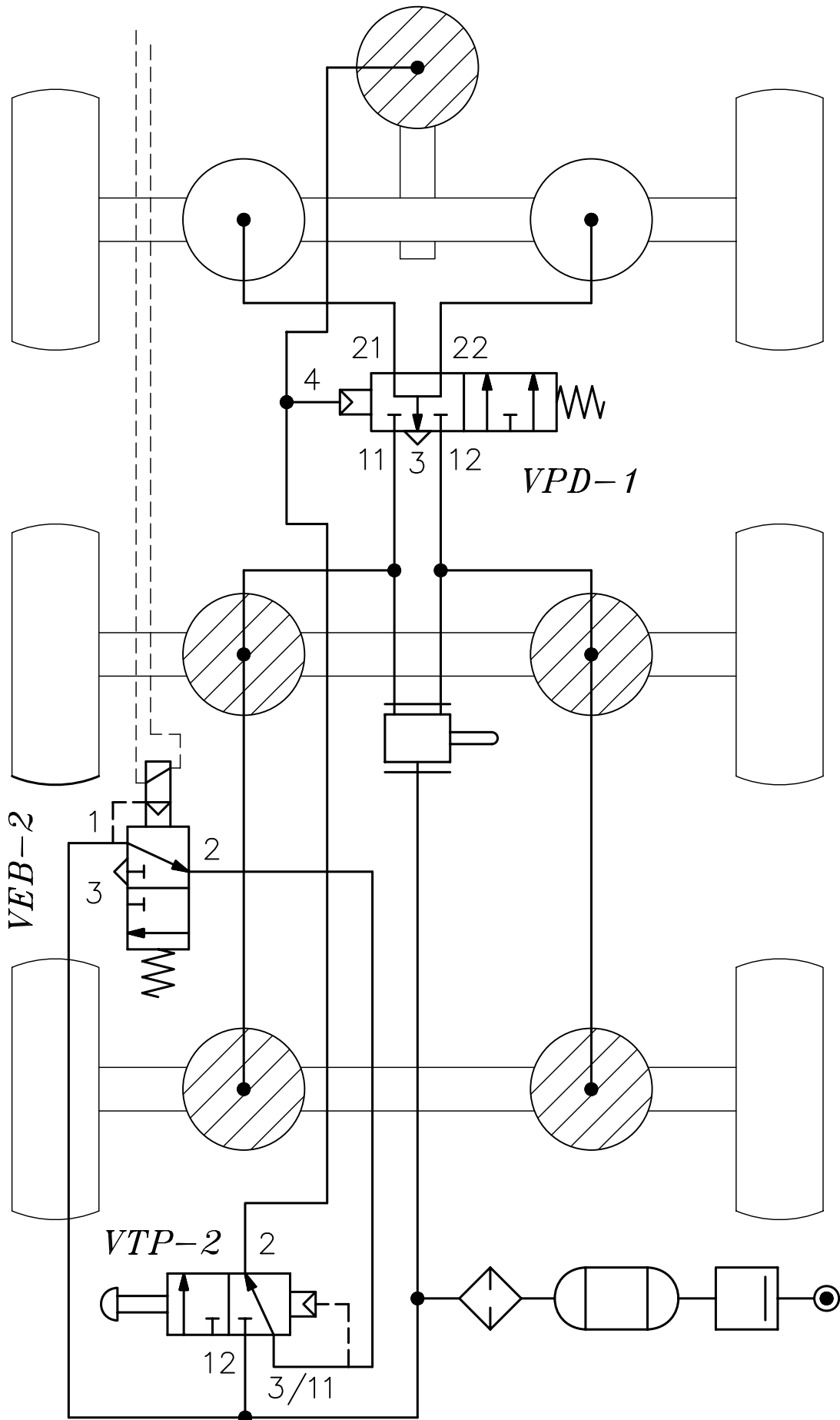


*ELECTRIC + MANUAL CONTROL OF LIFT AXLE  
(VPD-1 + VEB-2 + VTP-2)*



*ELECTRIC + MANUAL CONTROL OF LIFT AXLE  
WITH ANTI-VACUUM CONNECTIONS  
(VPD-1AV + VEB-2AV + VTP-2)*

