

# *Acceval*

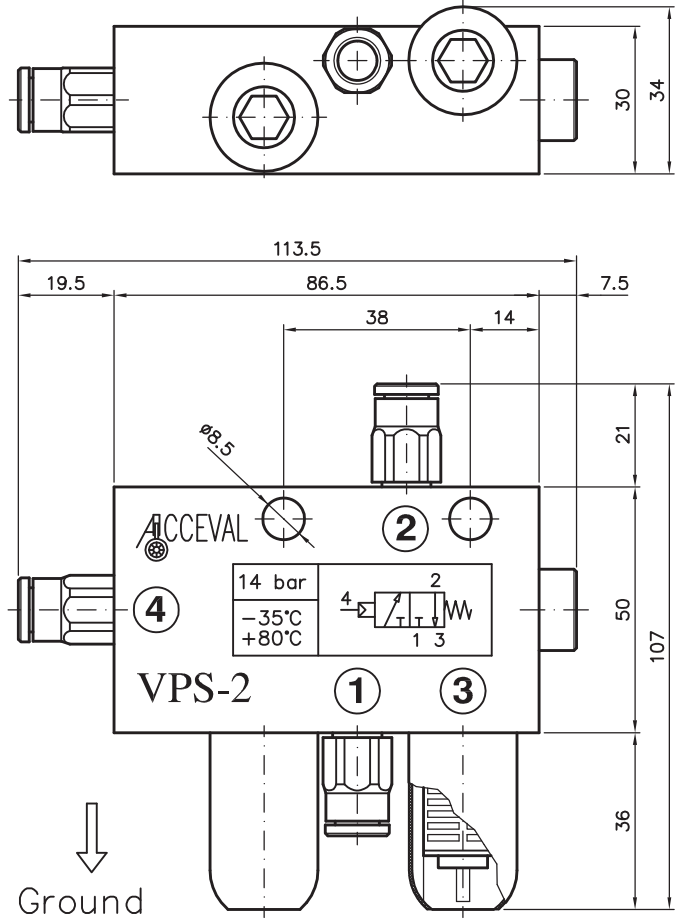
## Pneumatically Operated Valves

VPS-2 / VPS-3

VPD-1 / VPD-2

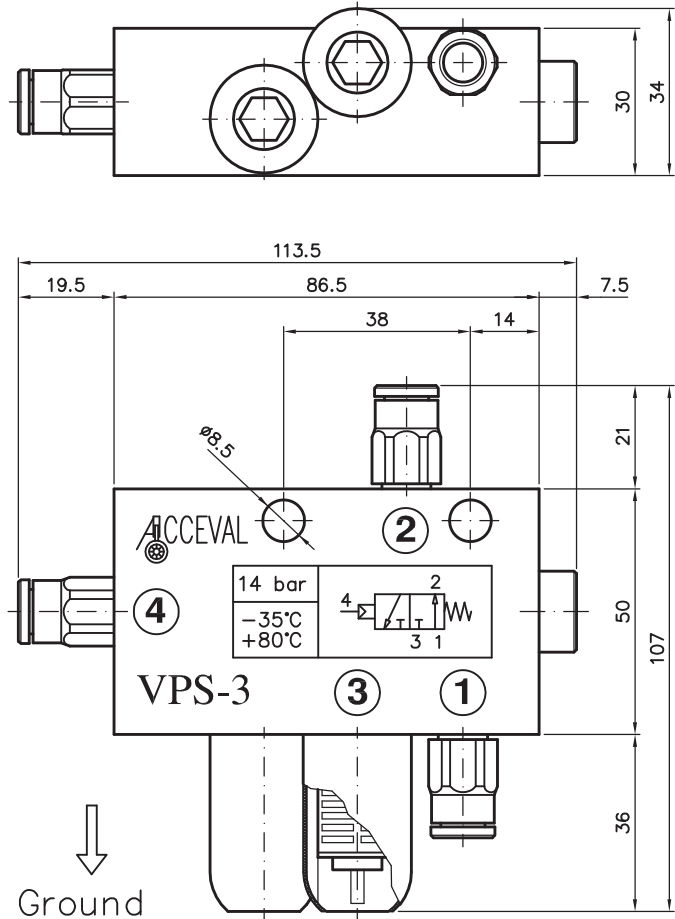
### ACCEVAL VPS-2

3/2 PNEUMATIC OPERATED VALVE  
NORMALLY CLOSED



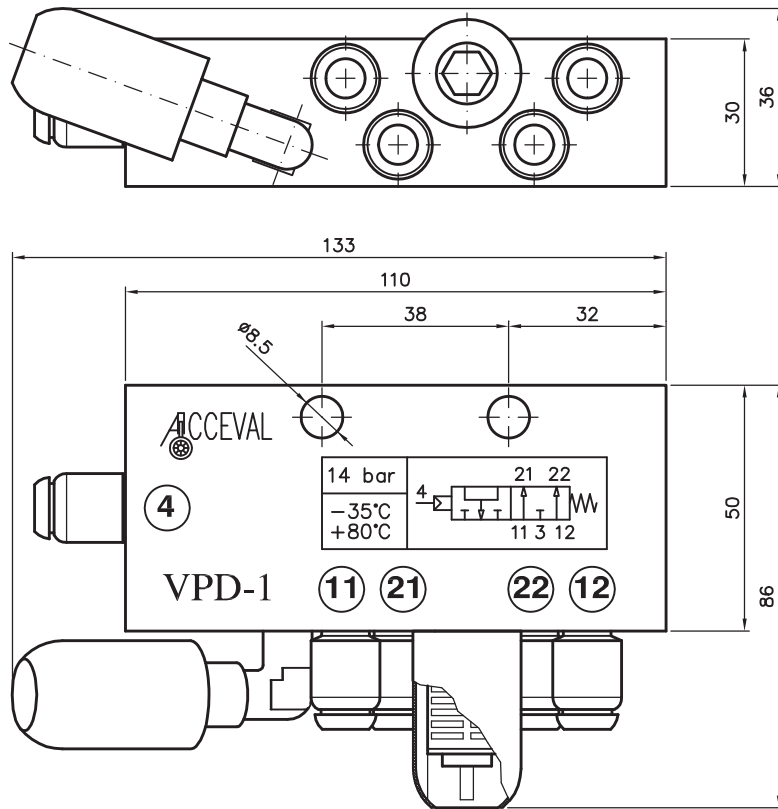
### ACCEVAL VPS-3

3/2 PNEUMATIC OPERATED VALVE  
NORMALLY OPEN



## ACCEVAL VPD-1

DOUBLE PNEUMATIC OPERATED VALVE  
FOR AXLE LIFT CONTROL (R1/8" PORTS)



## ACCEVAL VPD-2

BRAKE CHAMBERS DEACTIVATION VALVE FOR LIFT AXLE

